



PHOENIX GOLD



ZPRO36BT ZPRO654 USER MANUAL



PRO AUDIO SPEAKERS

Owners Manual

Congratulations on purchasing your Phoenix Gold speakers. Please read this manual in order to fully understand how to get the best results from this product and ensure that all advice on how to look after the product is followed.

Thank you for buying Phoenix Gold, we hope you enjoy listening to your product as much as we enjoyed creating it.

WARNING



DO NOT EXPOSE THIS PRODUCT TO DAMP OR MOISTURE - doing so may result in fire, shock or damage to the product.

BEFORE WIRING DISCONNECT THE CABLE FROM THE POSITIVE BATTERY TERMINAL - failure to do so may result in electric shock or injury.

ENSURE GOOD AND CORRECT CONNECTIONS - failure to make the correct connections may result in fire or damage to the product.

DO NOT USE ANY FUNCTIONS OF THIS EQUIPMENT THAT MAY TAKE YOUR CONCENTRATION AWAY FROM DRIVING YOUR VEHICLE - do not set up your amplifier whilst driving, doing so may result in an accident. For prolonged setting up, make sure that your vehicle is stationary and in a safe location.

KEEP THE VOLUME AT A LEVEL SO YOU CAN STILL HEAR OUTSIDE NOISE - failure to do this may result in an accident. VIBE equipment is capable of producing sound levels that can permanently damage your hearing. VIBE recommends caution when listening at high volume. For safe and enjoyable listening the sound should be comfortable and clear without distortion.

CAUTION

Never connect any speaker lead to the car chassis. This can cause severe damage to your speaker /car radio /amplifier.

Before drilling or cutting any holes, investigate the layout of your vehicle thoroughly. Use caution when working near the fuel / hydraulic lines and electrical wiring.

Observe the correct polarity when wiring, improper phasing may cause a loss of bass response.

Ensure that no moving parts catch on the speaker or grill (e.g. window or door handles, or window glass inside the door)

Limited Warranty

All Phoenix Gold products carry a full 12 month warranty, valid from the date of the original receipt and proof of purchase. The online warranty card should be completed within seven days of the original purchase date. The original receipt and packaging should be retained for this twelve month period. If the product develops a problem any stage during the warranty period, it should be returned to the point of purchase in its original packaging, and complete with no items missing. If the store is unable to repair the product it may have to be returned to Phoenix Gold.

A full description of Phoenix Gold warranty information can be found on our website:

www.phoenixgold.com

What Is Not Covered

- Damage to product due to improper installation.
- Subsequent damage to other components.
- Damage caused by exposure to moisture, excessive heat, chemical cleaners and / or UV radiation.
- Damage through negligence, misuse, accident or abuse. Repeated returns for the same fault may be considered abuse.
- Any cost or expense related to the removal and / or re-installation of the product.
- Damage caused by amplifier clipping or distortion.
- Items repaired or modified by any unauthorised repair facility.
- Return shipping on non defective items.
- Products returned without a returns authorisation number.
- Damage to product due to use of sealant.

International Warranty

Contact your international Phoenix Gold dealer or distributor concerning specific procedure for your country's warranty policies. www.phoenixgold.com

Warning

Phoenix Gold equipment is capable of sound pressure levels that can cause permanent damage to your hearing and those around you. Please use common sense when listening to your audio system and practice safe sound.

Copyright

All content included in this manual such as text, graphics, logos, icons, images and data, are the property of AAMP Global t/a Phoenix Gold. All rights reserved. Phoenix Gold and all stylised representations of product names, or the abbreviations of product names, as logos are all trademarks of Phoenix Gold. Graphics and logos are trademarks or trade dress of Phoenix Gold or its subsidiaries. Phoenix Gold's trademarks and trade dress may not be used in connection with any product or service that is not Phoenix Gold's, in any manner that is likely to cause confusion among customers or in any manner that disparages or discredits Phoenix Gold. All other trademarks not owned by Phoenix Gold or its subsidiaries that appear in this manual are the property of their respective TO THE FULLEST EXTENT PERMITTED AT LAW, PHOENIX GOLD IS PROVIDING THIS MANUAL AND ITS CONTENT ON AN "AS IS" BASIS AND MAKES NO (AND EXPRESSLY DISCLAIMS ALL) REPRESENTATIONS OR WARRANTIES OF ANY KIND, EXPRESS OR IMPLIED, WITH RESPECT TO THIS MANUAL, OR THE INFORMATION, CONTENT, MATERIALS OR PRODUCTS INCLUDED IN THIS MANUAL INCLUDING, WITHOUT LIMITATION, WARRANTIES OF MERCHANTABILITY AND FITNESS FOR A PARTICULAR PURPOSE. IN ADDITION, PHOENIX GOLD DOES NOT REPRESENT OR WARRANT THAT THE INFORMATION CONTAINED IN THIS MANUAL IS COMPLETE OR CURRENT, AND THAT ALL SPECIFICATIONS AND INFORMATION CONTAINED WITHIN THIS MANUAL ARE SUBJECT TO CHANGE WITHOUT NOTICE. PHOENIX GOLD RECOMMENDS CAUTION WHEN LISTENING TO MUSIC REPRODUCED THROUGH PHOENIX GOLD EQUIPMENT. PHOENIX GOLD EQUIPMENT IS CAPABLE OF PRODUCING SOUND AND SOUND PRESSURE LEVELS THAT CAN PERMANENTLY DAMAGE HEARING OF YOU AND THAT OF OTHERS. FOR SAFE AND ENJOYABLE LISTENING, THE SOUND SHOULD BE CLEAR WITHOUT DISTORTION AT A COMFORTABLE VOLUME. BY USING ANY PHOENIX GOLD EQUIPMENT, YOU AGREE TO TAKE FULL RESPONSIBILITY FOR YOUR OWN SAFETY AND THE SAFETY OF OTHERS WHEN LISTENING TO MUSIC AT HIGH VOLUMES THROUGH EQUIPMENT YOU HAVE PURCHASED. USE OF ANY PHOENIX GOLD EQUIPMENT CONSTITUTES AGREEMENT TO THIS DISCLAIMER.

representatives will be liable for damages arising out of or in connection with the use of this manual or the information, content, materials or products included.

This is a comprehensive limitation of liability that applies to all damages of any kind, including (without limitation) compensatory, direct, indirect or representatives.

Speaker Installation Guidelines

Firstly, make sure that the speakers will fit in your chosen location. This may involve the removal of the standard vehicle speakers. Please use the mounting depth and hole cut dimensions as detailed in this manual for guidance.

- If necessary cut any material away to allow the speaker to sit correctly.
- Cut out the mounting hole and pre-drill any other fixing holes.
- Screw through both gasket and speaker until the speaker is securely fastened.

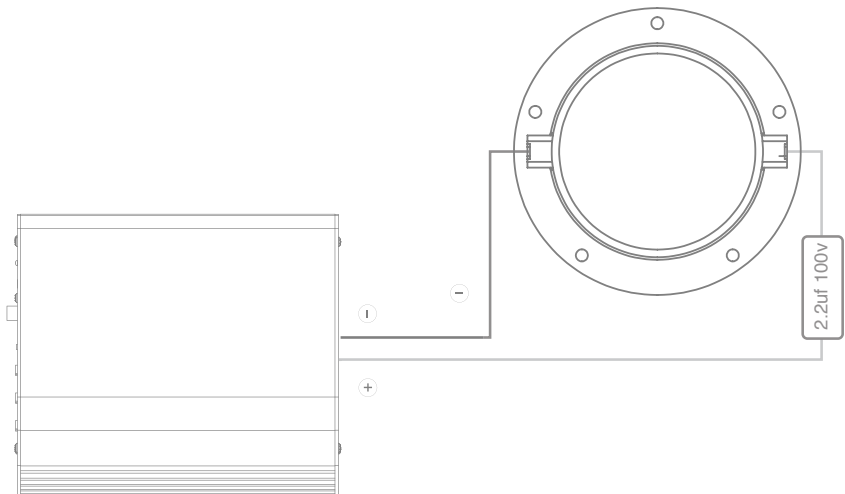
Speaker Installation

Find a suitable mounting location for the speaker.

Mark the mounting holes and pre drill the fixing hole with a 2mm drill bit. If the grill is to be fitted then place it over the speaker and screw through both the grill and the speaker using the provided screws. Be careful not to over tighten the screws as it may cause damage to the grill.

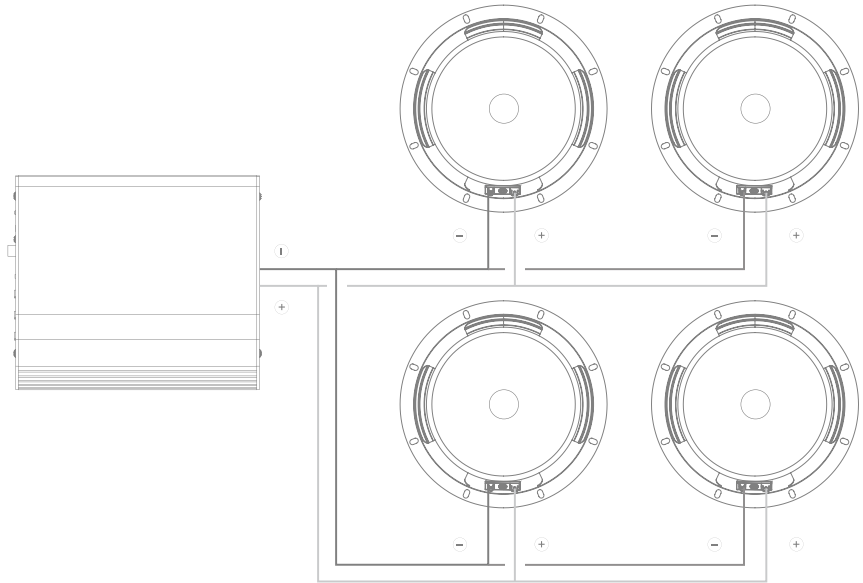
Please follow the wiring diagrams and ensure that correct polarity is observed as incorrect wiring may cause the speakers to be out of phase with the rest of the system and result in a loss of bass.

Tweeter Connections

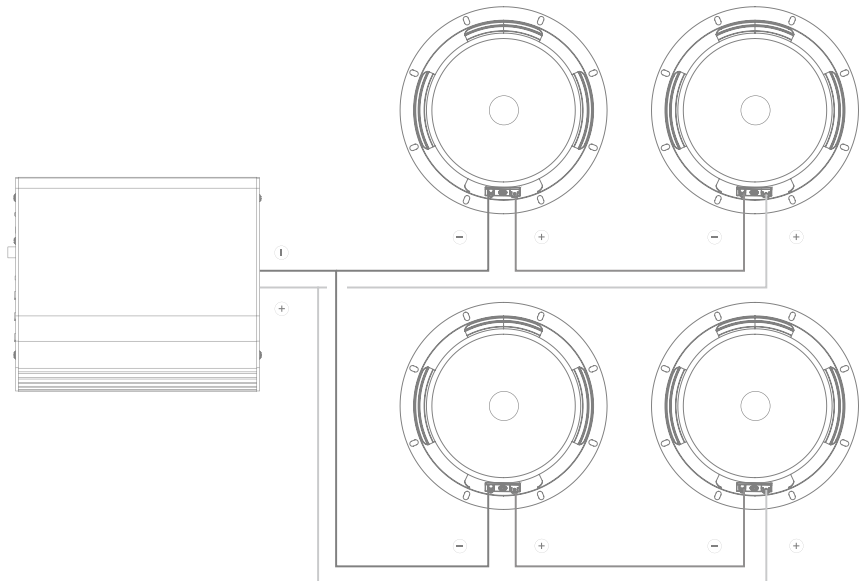


NOTE : Unless using an active crossover network, the 2.2µf 100v capacitor must be fitted in order to avoid damage to the tweeter.

Parallel : 1Ω Impedance



Series / Parallel : 4Ω Impedance



Specification

Model	ZPRO36BT	ZPRO654
Type	Tweeter	Midrange
Configuration	1-way	1-way
Speaker Size	3.7" (98mm)	6.6" (167mm)
Peak/RMS Power	225W/75W	375W/125W
Sensitivity	102dB	92dB
Frequency Response	2kHz - 20kHz	140Hz - 9kHz
Impedance	4 Ω	4 Ω
Mounting Depth	1.5" (37mm)	2.9" (73mm)
Mounting Diameter	2.8" (72mm)	5.7" (144mm)

TS Parameters

Parameter	ZPRO654
Fs	131.8 Hz
Re	3.2 Ω
Qms	7.609
Qes	1.09
Qts	0.95
Cms	0.1954 mm/N
Mms	7.45 gr
Bl	4.19 Tm
SPL	91.2 dB
Vas	3.98 L
Sd	128.7 cm ²

UK Technical Enquiries

Call 09067031420

Calls cost 50p per minute. Call costs correct at date of publication (01/02/12)

Hours of business 9.00am - 5.30pm GMT Monday - Friday.

All calls are recorded for training purposes.

MIDBASS Distribution

PO Box 11000

B75 7WG



International Technical Enquiries

For international technical support please contact the distribution agent for your country.

Please visit **www.phoenixgold.com** for more details.





PHOENIX GOLD

WEBSITE : PHOENIXGOLD.COM